



CLEEMANN
CHAIR-SYSTEMS

REVOLUTIONARY SHOCK MITIGATION

WAVERIDER **X**TREME

- water resistant
- corrosion free
- non-magnetic
- anti-static
- less weight



NEW

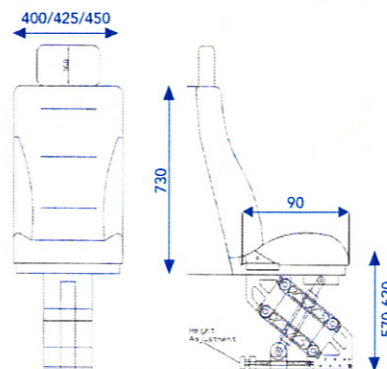
Recommended application

For all kind of high speed crafts, coast guard vessel, RIBs, patrol crafts, rescue crafts, submarines (non-magnetic) and naval vessel. For indoor and outdoor use.

Profile

Seat frame is of powder coated aluminium construction, PU moulded foam with waterproof cover and upholstered in black tough tec or marine vinyl in colour of your choice.

Height adjustable - ultra strong - damping system. Complete Seat weight including suspension mechanism – only 26 kg.



Tested, certified and approved:

Crash test according to IMO-HSC code: by Germanischer Lloyd



Confirms to naval shock test resolutions.

Cleemann Chair-Systems GmbH
Auf den Trohnen 6 | 59469 Ense | Germany

Telefon +49 2938-97710-0
Telefax +49 2938-97710-30

info@chair-systems.com
www.pilotchairs.com